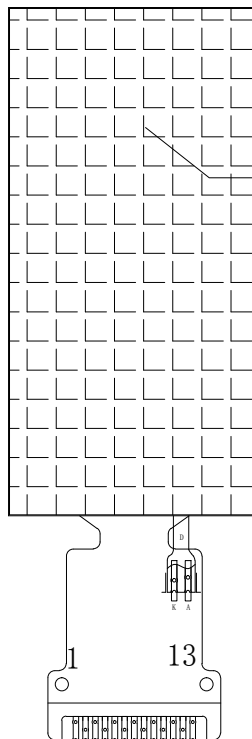
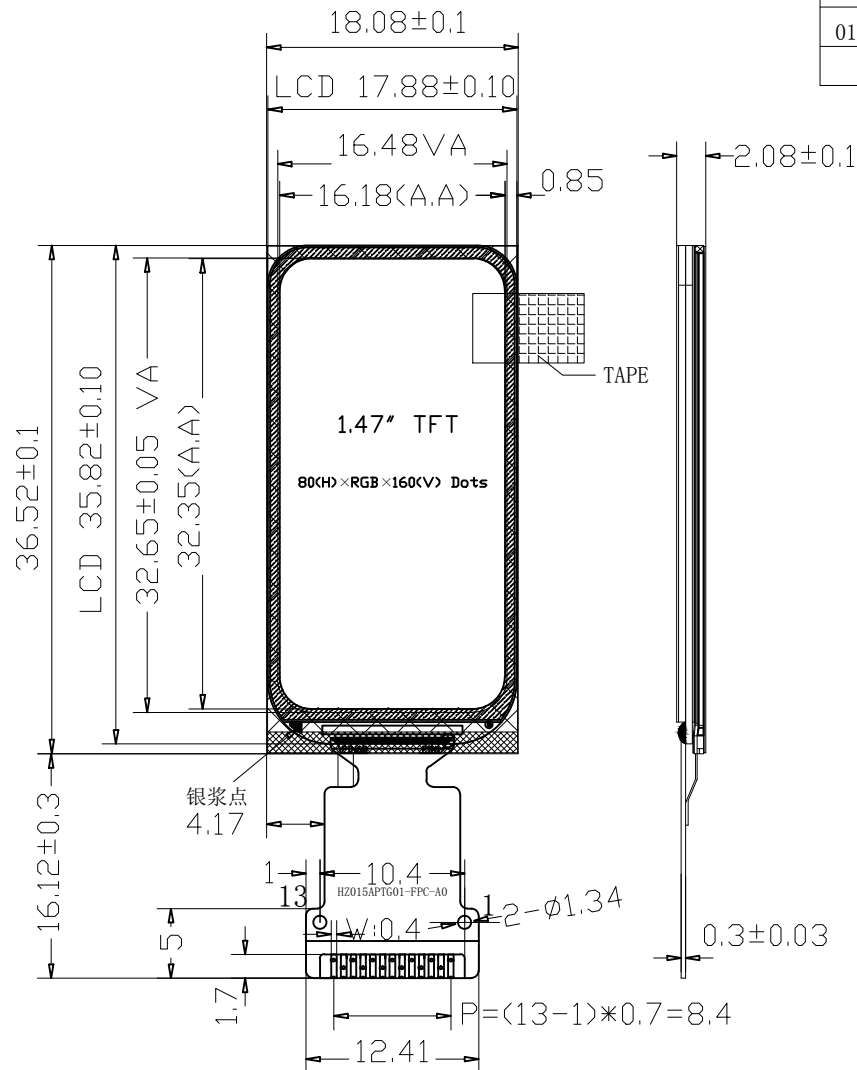


ROSH

Reversion	Discription	Date	Signed
01	First	2024/04/28	Carl



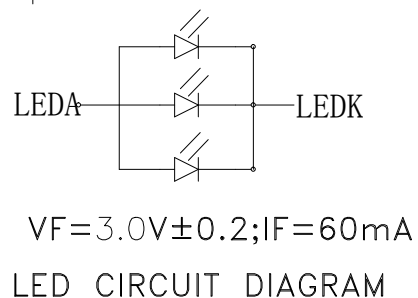
黑色 ESR

PIN	SYMBOL
1	NC
2	NC
3	SDA
4	SCL
5	RS
6	RESET
7	CS
8	GND
9	NC
10	VCC
11	LEDK
12	LEDA
13	GND

4 线串口

NOTES:

1. DISPLAY TYPE: 1.47" TFT, TRANSMISSIVE
2. DRIVER IC: GC9109
3. VIEWING DIRECTION: ALL
4. BACKLIGHT: 3 pcs White LED
5. LCM Luminance: 400 cd/m²
6. INPUT CURRENT: VCC 2.8V (type)
7. OPERATING TEMP: -20° C ~ +70° C
8. STORAGE TEMP: -30° C ~ +80° C
9. UNDEFINED DIMENSION TOLERANCE: ±0.2mm
10. RoHS COMPLIABLY



Customer Ref.		Model No.	Drawing Title		HZ015APTG01-A0			
---	Part No.	Approve	Material	Unmarked Tolerance	Unit	Scale	Page	
---	Drawing No.	Checked	LCM	±0.2	mm	--	1 of 1	
---	Draw	Carl	Date	2024.04.28	Rev 00			



深圳市华之洋光电科技有限公司
SHENZHEN HZY PHOTOELECTRIC TECHNOLOGY CO., LTD