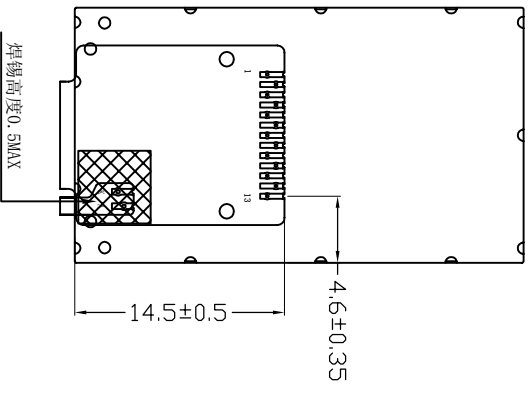
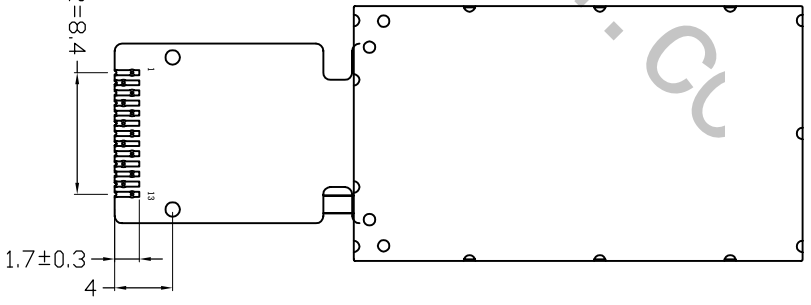
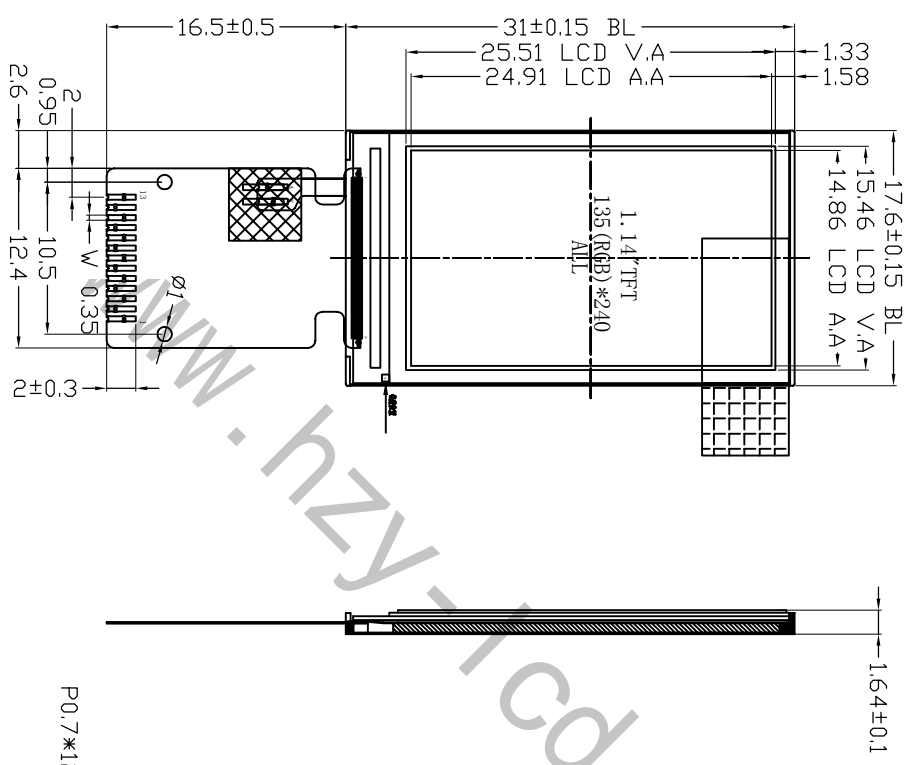


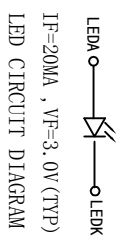
ROSH

| Revision | Description | Date | Signed |
|----------|-------------|------------|--------|
| 01 | First | 2021.07.21 | YP |



| NO | SYMBOL |
|----|--------|
| 1 | NC |
| 2 | NC |
| 3 | SDA |
| 4 | SCL |
| 5 | RS |
| 6 | RES |
| 7 | CS |
| 8 | GND |
| 9 | GND |
| 10 | VCC |
| 11 | LEDK |
| 12 | LEDA |
| 13 | GND |

4线SPI



IF=20MA , VF=3.0V(TYP)
LED CIRCUIT DIAGRAM

FPC弯折示意图
*展开出货

NOTES:

1. DISPLAY TYPE: 1.14" TFT, TRANSMISSIVE
 2. DRIVER IC: ILI9340X
 3. VIEWING DIRECTION: ALL 0'CLOCK
 4. BACKLIGHT: 1 pcs White LED
 5. INPUT CURRENT: VCC 2.8V (type)
 6. OPERATING TEMP: -20° C ~ +70° C
 7. STORAGE TEMP: -30° C ~ +80° C
 8. UNDEFINED DIMENSION TOLERANCE: ±0.2mm
- ROHS COMPLIABLY

深圳市华之洋光电科技有限公司
Shenzhen HZY Photoelectric Technology Co.,Ltd

| | | | | |
|---------------|-----------|---------------|--------------------|------------|
| Customer Ref. | Model No. | Drawing Title | HZ114DPHY01-A0 | |
| Part No. | Approve | Material | Unmarked Tolerance | Unit |
| Drawing No. | Checked | LCM | ±0.2 | mm |
| | Draw | YP | Date | 2021.07.21 |
| | | | Rev | 00 |